

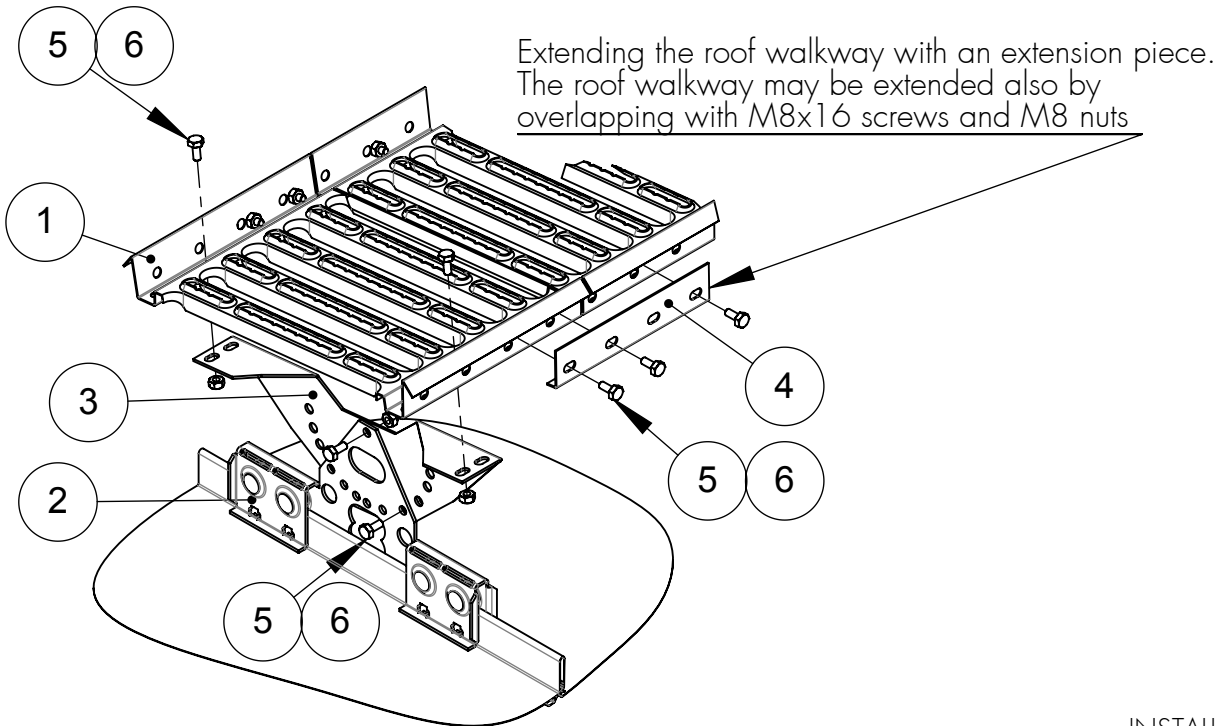
# ROOF WALKWAY (KS) CLASS 2 FOR SEAM METAL ROOFS

- At least three fasteners must always be used.
- Maximum fastener spacing 1200 mm.
- On Classic and Progantti roofs, the maximum installation spacing of fasteners at the ends of the roof walkway is 600 mm.
- The end of the roof walkway may exceed over the fastener by at most 15 cm.
- Maximum pitch of the roof 39°.
- Please observe the operating and service manuals [www.orida.fi/en/](http://www.orida.fi/en/) and the RT 85-11132 information sheet during installation

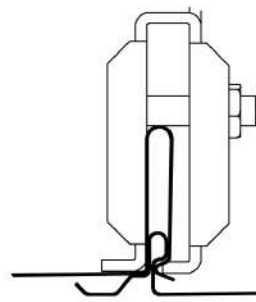
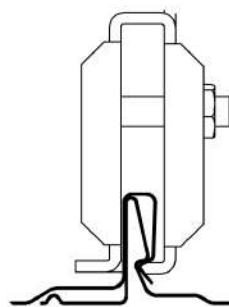
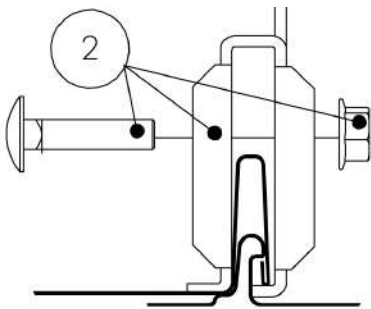
**CE ORIMA®**

ORIMA-TUOTE OY  
Kankaantie 6  
16300 Orimattila  
Finland  
13  
EN516 - 2 - B

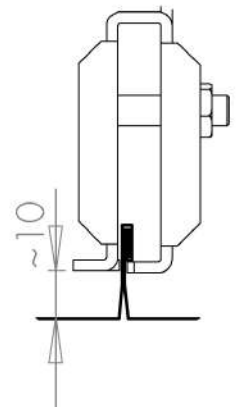
**KS3C2**



INSTALLATIONS FOR DIFFERENT TYPES OF LOCK SEAM ROOFING



INSTALLATION FOR  
A STANDING SEAM ROOF  
N.B. Lift the fastener.



Tighten the bolts of the fastener until the apparent elastic limit, i.e. until the sides of the fastener have come closer to each other but have not become dented or twisted.

NO.	PART	PRODUCT NO.	KS3C2 1.21m (STLTC2) pcs	KS3C2 2.25m (STTGC2) pcs	KS3C2 2.97m (STTAC2) pcs
1	ROOF WALKWAY 1.21 m	30010	1		
1	ROOF WALKWAY 2.25 m	30200		1	
1	ROOF WALKWAY 2.97 m	30030			1
2	SHEET FASTENER KIT C2	35820	3	3	4
3	BASE PIECE	30060	3	3	4
4	EXTENSION PIECE	30040	2	2	2
5	HEXAGON SCREW M8x16	17031	18	18	22
6	HEXAGON NUT M8	17021	18	18	22
	END SUPPORT KIT	35110	1	1	

NOTE!  
The screw strength M8 8.8 (ISO898) must be used.