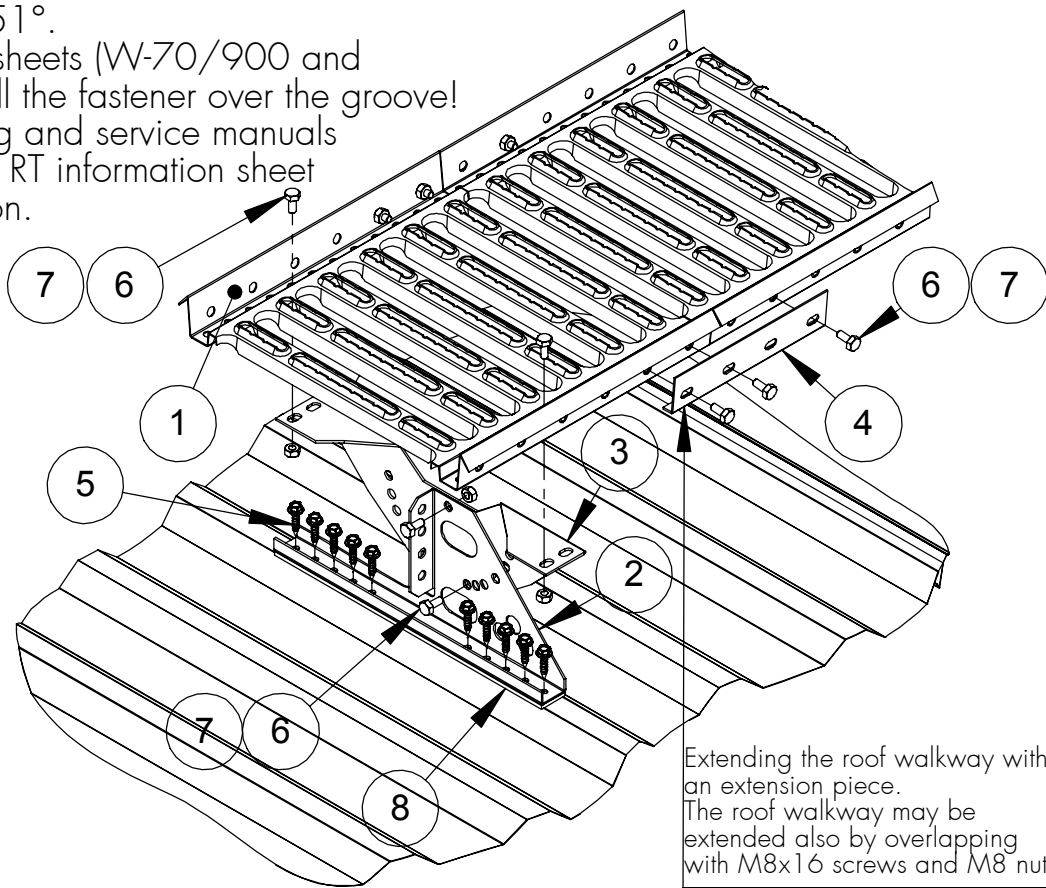
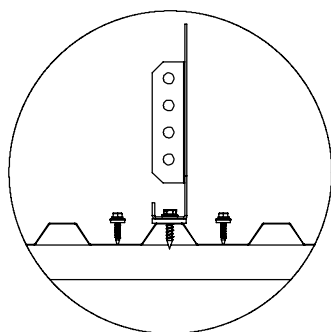


# ROOF WALKWAY (KS) CLASS 2 FOR PROFILED SHEET AND FELT ROOFS WITH FASTENER 30530



- At least three fasteners must be installed to a single roof walkway, max. fastening spacing 1,200 mm.
- An initial hole is recommended to be drilled for the screws. The max. size of the hole can be 3.3 mm.
- Fastening of supports with min. 7x30 screws.
- Roof walkway overhang from fastener max. 15 cm.
- In tightening screws, be mindful not to let the screw rotate loosely.
- A sealing strip must be glued to the bottom of the fastener.
- Maximum pitch of the roof 51°.
- In load-bearing corrugated sheets (W-70/900 and W-115/750), do not install the fastener over the groove!
- Please observe the operating and service manuals [www.orima.fi/en/](http://www.orima.fi/en/) and the RT information sheet 85-11132 during installation.
- NOTE! For felt roofs, the recommended thickness of the rough tongue is min. 23x100. The fastener does not need to match the roof truss division.



Extending the roof walkway with an extension piece. The roof walkway may be extended also by overlapping with M8x16 screws and M8 nuts.

If possible, fasten profiled sheet 2 pcs with a roofing screw to the batten in the fastener point. In new roofs, the batten division is about 350–400 mm under the snow guard.

NO.	PART	PRODUCT NO.	KS7 2.97 m (STTD), pcs	KS7 2.25 m (STTDA), pcs	KS7 1.21 m (STTDB), pcs
1	ROOF WALKWAY 2.97 m	30030	1		
1	ROOF WALKWAY 2.25 m	30200		1	
1	ROOF WALKWAY 1.21 m	30010			1
2	PROFILE ROOF FASTENER	30530	4	3	3
3	KS BASE PIECE	30060	4	3	3
4	KS EXTENSION PIECE	30040	2	2	2
5	SCREW 7X30	17771	40	30	30
6	HEXAGON SCREW M8X16	17031	22	18	18
7	HEXAGON NUT M8	17021	22	18	18
8	SEALING TAPE	17160	1.4m	1.1m	1.1m
	END SUPPORT KIT	35110		1	1

NOTE! The screw strength M8 8.8(ISO 898) must be used.