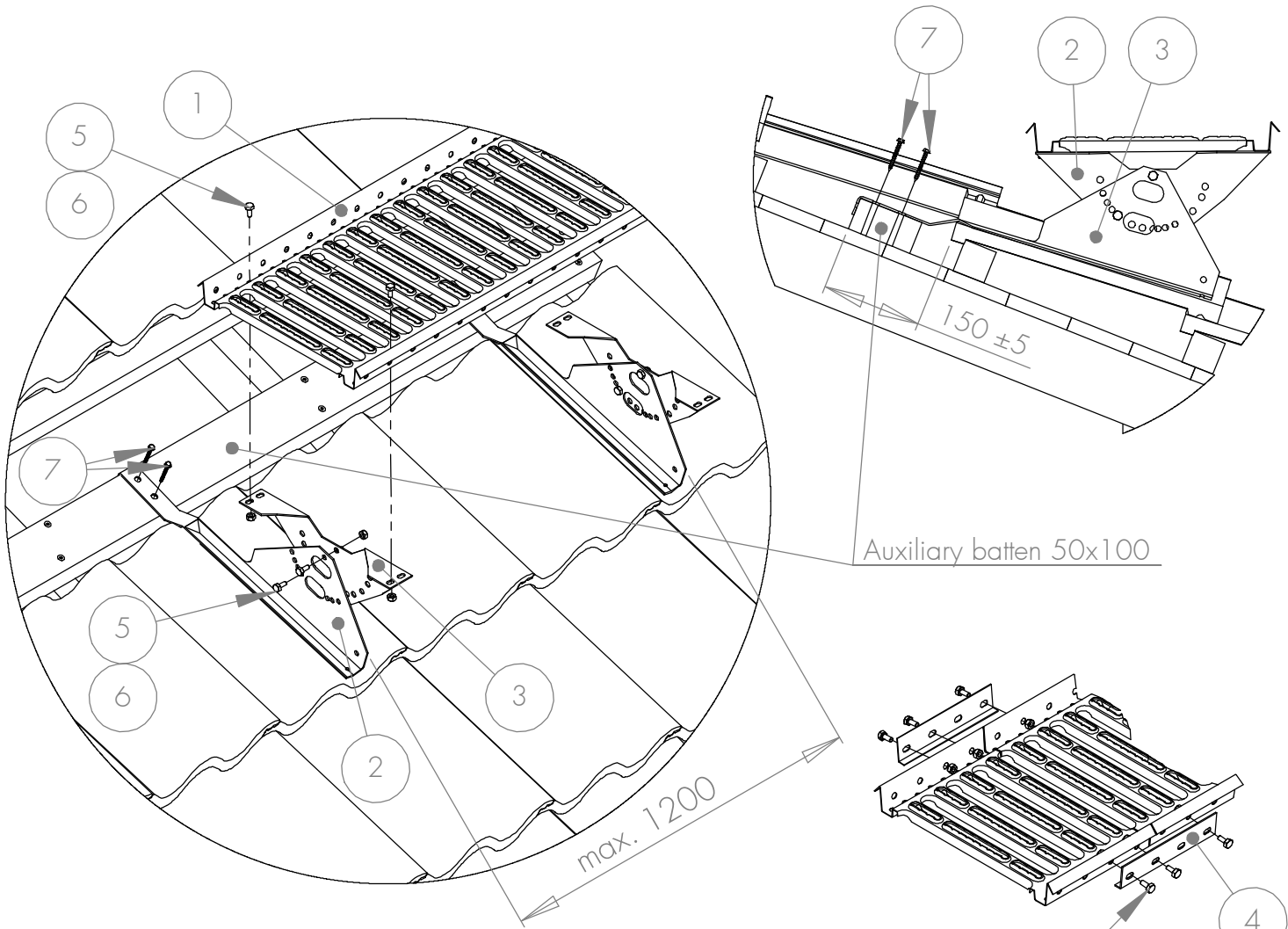


# ROOF WALKWAY (KS) CLASS 2 FOR TILED ROOFS



- At least three fasteners must be used.
- Auxiliary batten 50x100 must be fastened to the frame with two min. 8x140 coach screws per roof truss or with two min. 6x120 universal screws per roof truss.
- Maximum spacing of the fasteners is 1.2 m
- The maximum extension of the roof walkway over the outermost fastener is 15 cm.
- Maximum pitch of the roof 50°, whereby the maximum height of the tiles is 40 mm (45°/53 mm, 34°/83 mm).
- Please observe the operating and service manuals [www.orida.fi](http://www.orida.fi) and the RT information sheet 85-11132 during installation.



NR.	PART	PRODUCT NR.	KS8 1.21 m (STTI), pc.	KS8 2,25 m (STTH), pc.	KS8 2.97 m (STTC), pc.
1	WALKWAY 1.21 m	30010	1		
1	WALKWAY 2.25 m	30200		1	
1	WALKWAY 2.97 m	30030			1
2	ROOF FASTENER	31050	3	3	4
3	UPPER SUPPORTER	30060	3	3	4
4	JOINT	30040	2	2	2
5	SCREW M8x16	17031	18	18	22
6	NUT M8	17021	18	18	22
7	SCREW 7x50	17271	6	6	8
	SIDEWAYS SUPPORT	35110	1	1	

Extending the roof walkway with an extension piece. The roof walkway may be extended also by overlapping with M8x16 screws and M8 nuts

NOTE! The screw strength M8 8.8(ISO 898) must be used.