

# GUTTER P13 AND DOWNPIPES P10 INSTALLATION GUIDE

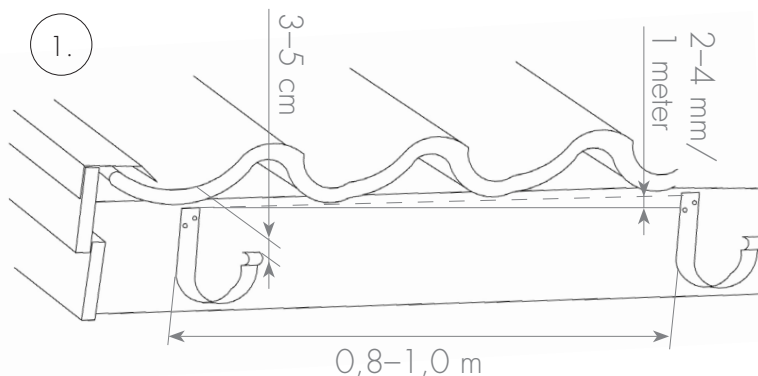


## 1. GUTTER HOOKS

Install first the outermost gutter hooks. The front edge of the gutter should be 3–5 cm from the basic level of the roof.

Gutter should drop 2–4 mm for every meter. Sink will be located on the lower end. Use string line to help the marking of the gutter line and the hook level.

Install the rest of the gutter hooks about 80 cm to 1 meter spacings.



## 2. SINK

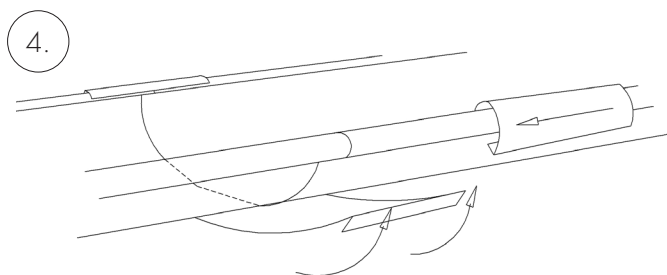
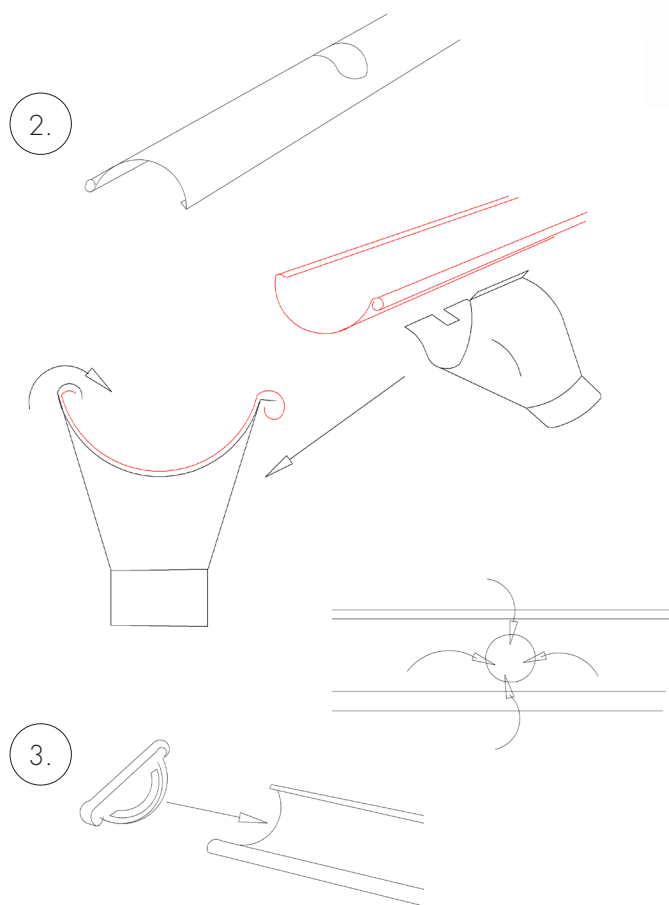
Cut the hole in the gutter for the sink f. ex. with the hacksaw (blade for the steel). Install the sink first to the front edge of gutter and lift the back edge of the sink over the gutter back edge. Tap lightly down the sharp edges of the gutter hole.

## 3. GUTTER ENDS

Pull the gutter ends to the place and lock with 2 pop rivets. Apply sealant if needed.

## GUTTER

Lift the gutter to the hooks, first the front edge. Slide the back edge under the hooks pin.



## 4. JOINING

Set the gutter ends aligned. Install the gutter joint first to the back edge of the gutter. Lift the front edge of the joint so that the bended edge of joint will slide inside the round joint wedge. Tap the round joint wedge to the place. Apply sealant if needed.

## 5. INSTALLING DOWNPIPES

Fit the bends and downpipes for suitable the eaves: Fasten all bends and downpipes together. Cut the downpipes if needed from the top, not the shrinked bottom. Pull the downpipe to the sink.

Install the wall brackets about 1,5 m spacing.

