

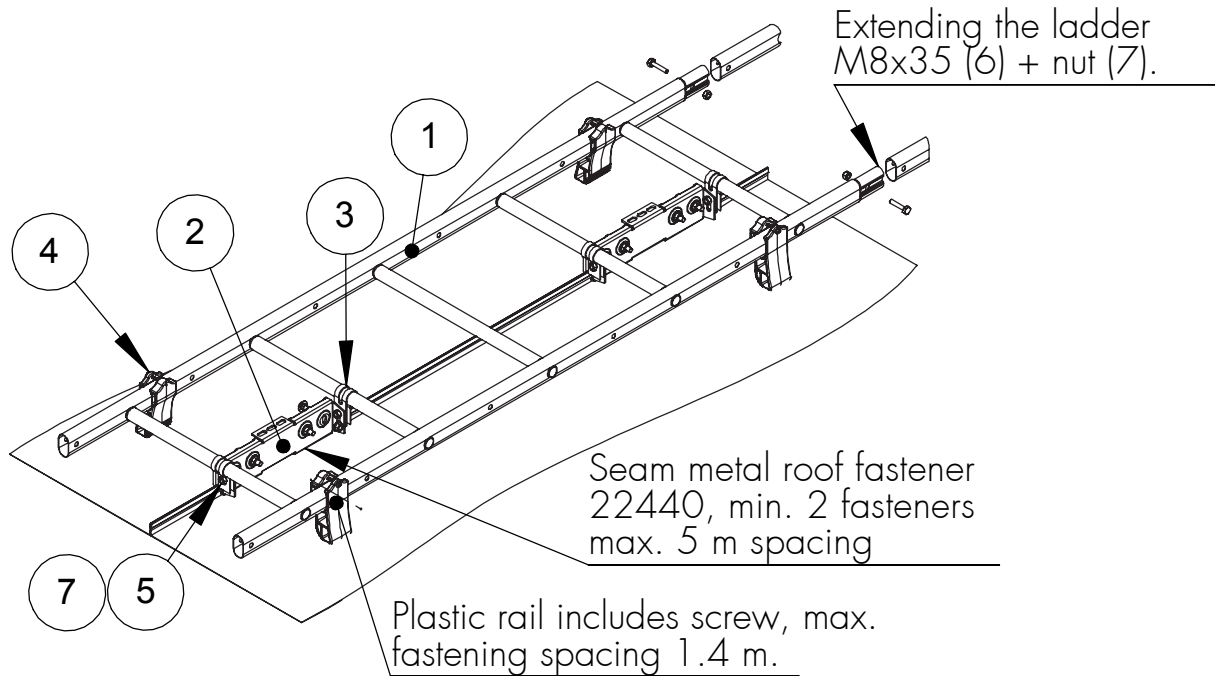
ROOF LADDER CLASS 2 FOR SEAM METAL ROOFS WITH CENTRAL FASTENER

- Snow guards should be used with roof ladders.
- Please observe the operating and service manuals www.orida.fi/en/ and the RT 85-11132 information sheet during installation

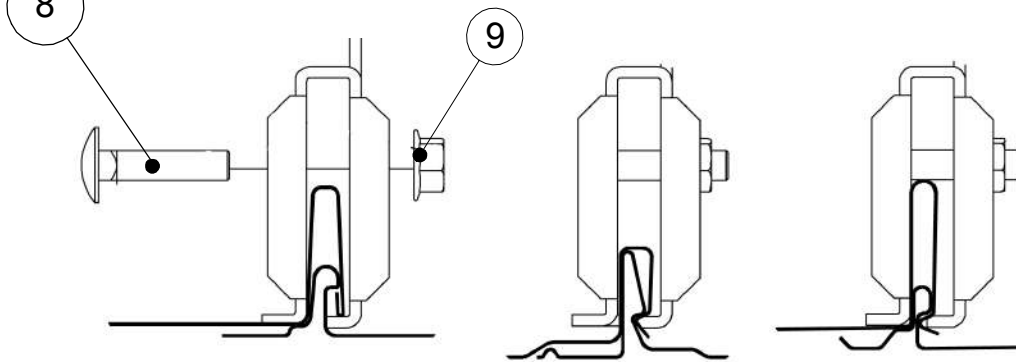


ORIMA-TUOTE OY
Kankaantie 6
16300 Orimattila
Finland
13
EN12951-C2-TB

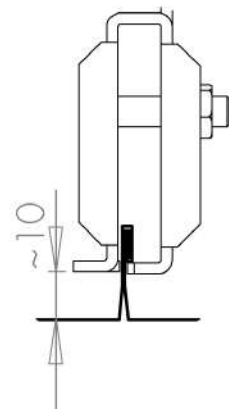
AS2C2



INSTALLATIONS FOR DIFFERENT TYPES OF LOCK SEAM ROOFING



INSTALLATION FOR A STANDING SEAM ROOF
N.B. Lift the fastener.



Tighten the bolts of the fastener until the apparent elastic limit, i.e. until the sides of the fastener have come closer to each other but have not become dented or twisted.

NO.	PART	PRODUCT NO.	AS2C2 pcs	AS2LC2 pcs
1	MODULAR LADDER	*		
2	LADDER SEAM FASTENER	22440	2	1
3	P RING	20420	4	2
4	PLASTIC RAIL	20240	8	4
5	HEXAGON SCREW M8x25	17041	4	2
6	HEXAGON SCREW M8x35	17051	2	2
7	HEXAGON NUT M8	17021	6	4
8	SQUARE NECK BOLT M8x40	17191	8	4
9	FLANGE NUT M8	17201	8	4

* Ladder frame lengths: 1.2 m, 2.7 m, 3.3 m and 4.2 m. Installation kit AS2C2 sufficient for 5.1 m. AS2C2 + AS2LC2 -kits sufficient for next 5 m.