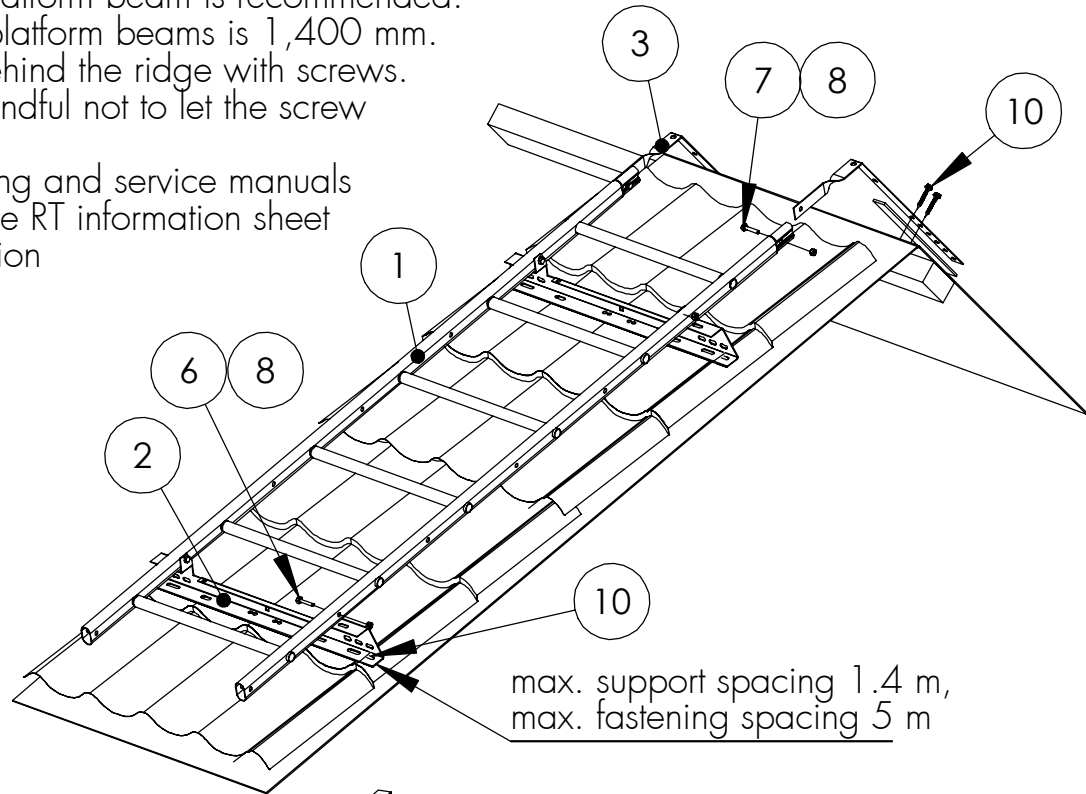


ROOF LADDER CLASS 2 FOR TILE-PATTERNED, BOX PROFILE AND FELT ROOFS

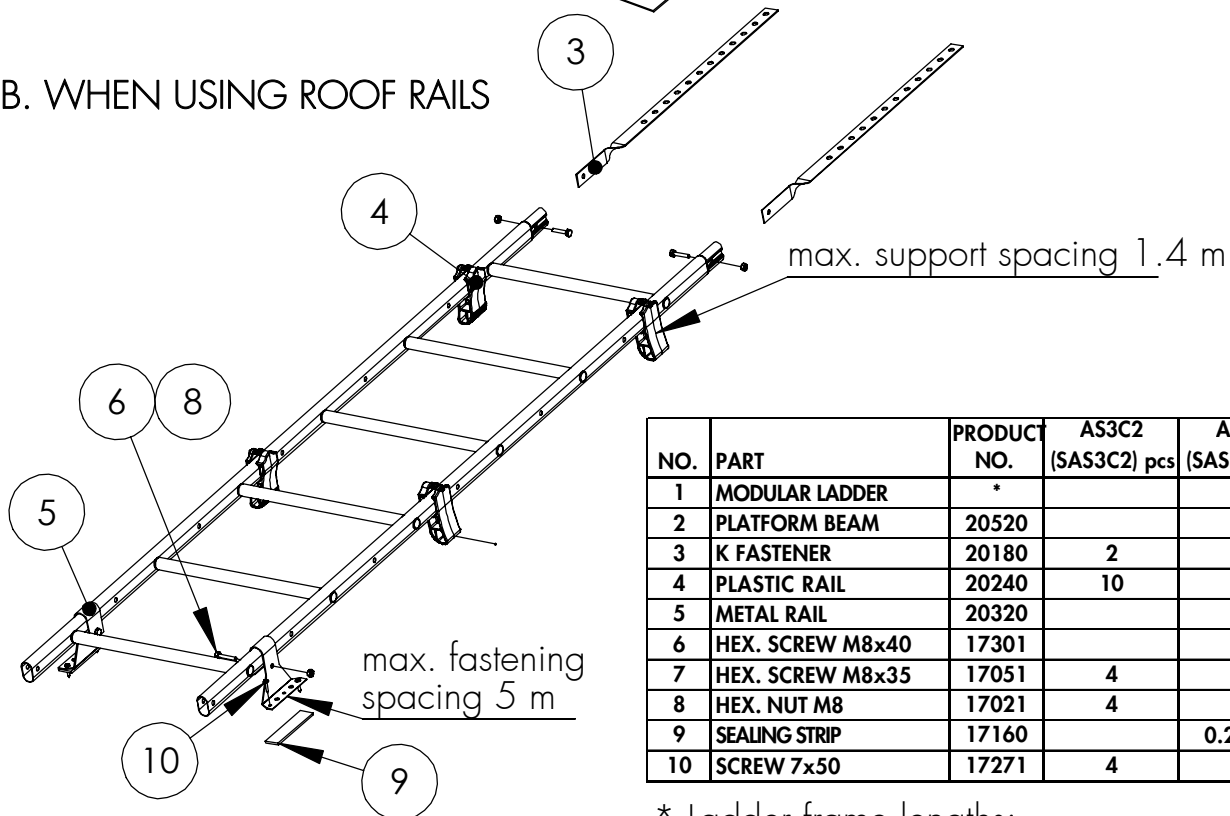


- Snow guards should be used with roof ladders.
- The top end is always fastened to the frame structure, e.g. under the ridge sheet as shown in the illustration.
- A sealing strip under the platform beam is recommended.
- Maximum spacing of the platform beams is 1,400 mm.
- K-fasteners are fastened behind the ridge with screws.
- In tightening screws, be mindful not to let the screw rotate loosely.
- Please observe the operating and service manuals www.orima.fi/en/ and the RT information sheet 85-11132 during installation

A. WHEN USING PLATFORM BEAMS



B. WHEN USING ROOF RAILS



NO.	PART	PRODUCT NO.	AS3C2 (SAS3C2) pcs	AS3L (SAS3L) pcs	AS3BC2 (SAS3BC2) pcs
1	MODULAR LADDER	*			
2	PLATFORM BEAM	20520			4
3	K FASTENER	20180	2		2
4	PLASTIC RAIL	20240	10		
5	METAL RAIL	20320		2	
6	HEX. SCREW M8x40	17301		2	12
7	HEX. SCREW M8x35	17051	4		
8	HEX. NUT M8	17021	4		12
9	SEALING STRIP	17160		0.25 m	2.60 m
10	SCREW 7x50	17271	4	4	8

* Ladder frame lengths:
1.2 m, 2.7 m, 3.3 m and 4.2 m.

NOTE! AS3L is used when the roof ladder is not connected to the wall

NOTE! The screw strength M8 8.8(ISO 898) must be used.