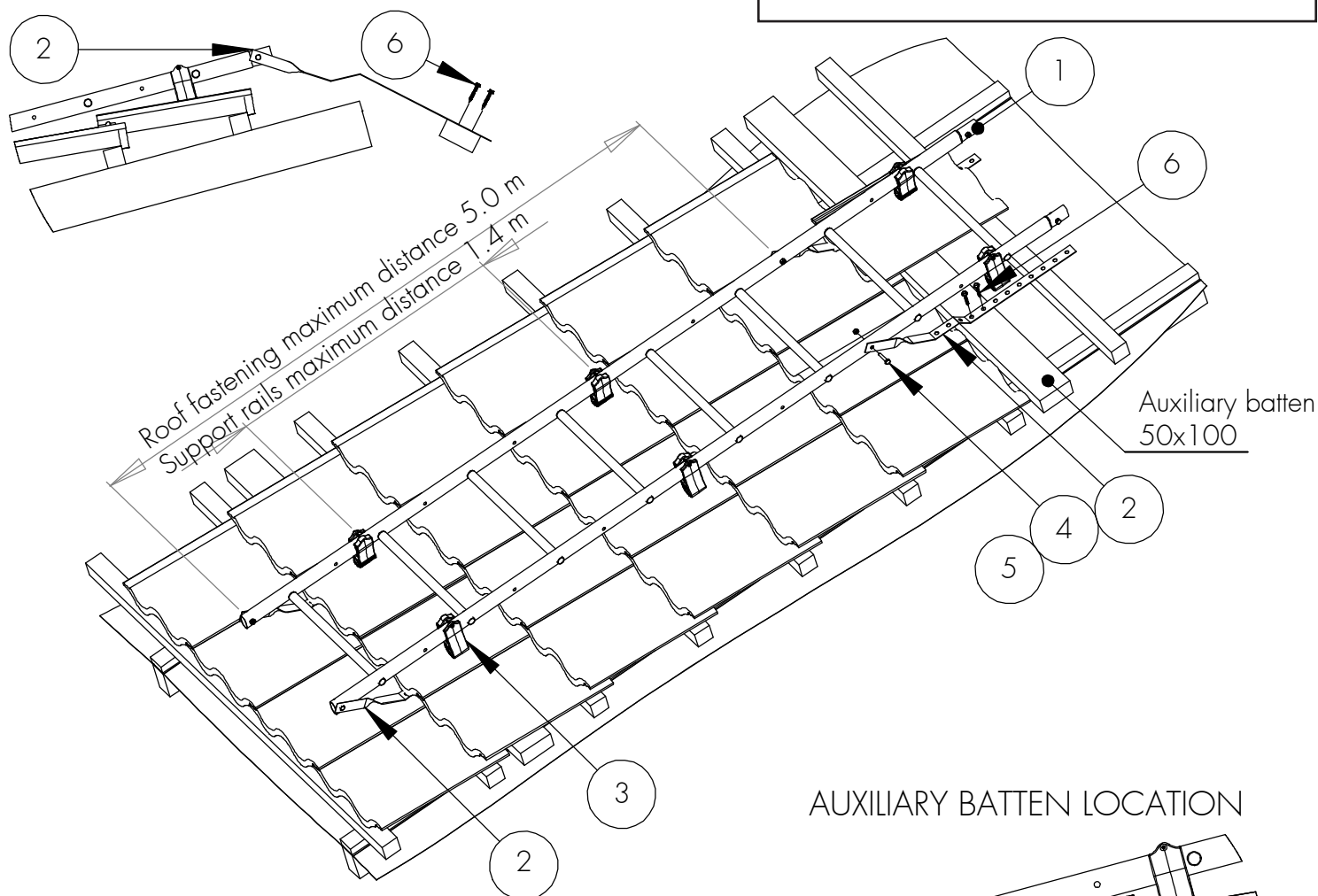


# ROOF LADDER CLASS 2 FOR TILED ROOFS

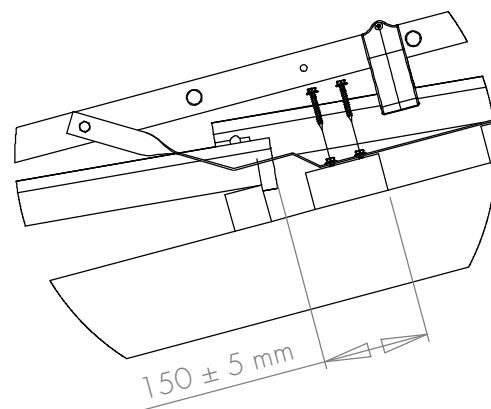
Snow guards should be used with roof ladders.



## FASTENING OVER THE ROOF RIDGE



## AUXILIARY BATTEN LOCATION



- Fasten the 50x100 auxiliary batten to the roof truss with two min. 8x140 coach screws/roof truss.
- Fasten the K fasteners and plastic rails to the ladder. Install the K fastener to the auxiliary battens with 2 screws/K fastener.  
K fastener maximum spacing 5.0 m
- NOTE! Do not place the plastic rail at the end of edge of a tile.  
Maximum plastic rail spacing 1.4 m
- The top end of the ladder may also be fastened over the ridge of the roof to the frame structure under the ridge tile with 2 7x50 screws/K fastener.
- If the roof ladder is not attached to the wall ladder, 2 additional K fasteners are required to fasten the bottom end of the roof ladder.

NO.	PART	PROUCT NO.	AS9C2 (SAS9C2) pcs
1	MODULAR LADDER**		
2	K FASTENER	20180	4
3	PLASTIC RAIL	20240	10
4	HEXAGON SCREW M8x35	17051	4
5	HEXAGON NUT M8	17021	4
6	SCREW 7x50	17271	8

\*Ladder frame lengths: 1.2 m, 2.7 m, 3.3 m and 4.2 m.

Please observe the operating and service manuals [www.orima.fi/en/](http://www.orima.fi/en/) and the RT information sheet 85-11132 during installation

NOTE! The screw strength M8 8.8 (ISO898) must be used.