

ORIMA®

The Finnish Quality
Since 1960



Snow guards • Roof walkways • Ladders • Guard rails



RELIABILITY

SAFETY

DURABILITY



FINNISH EXPERTISE TRADITIONS SINCE 1960

ORIMA's business traditions were established as early as in 1960. High expertise in product development and manufacturing is definitely a benefit for our customers, because this is how we ensure the product quality and excellent service.

TESTED PRODUCTS

In its own laboratory ORIMA examines and tests its new products, which is the key to the quality of our roof safety systems.

We are proud to say that ORIMA delivers premium class safety.

UP TO 30 YEARS GUARANTEE

Many quality certificates received in and outside Finland prove our competence and experience. That's why we provide up to 30 years guarantee for ORIMA roof safety systems, but its service life is much longer.

ISO 9001

BUREAU VERITAS
Certification



SNOW GUARDS



ORIMA® Tube SNOW GUARDS

- Oval-shaped steel tubes
- Powder coated hot-dip galvanized steel
- Joint brackets for all roof types
- Two tubes, four brackets, and a mounting kit per package
- We recommend to install it along the whole pitch length

Snow guard length 3.0 m
Bracket spacing of 1.2 m or less



ORIMA® Grating SNOW GUARDS

- The most efficient barrier that stops snow and ice from falling
- Suitable for high-rise buildings of urban area
- Joint brackets for all roof types
- Build-up with a connecting strip or overlapped
- Snow guard with spikes is available; it can be placed to the very edge of the roof

Standard length 1.23 m and 2.46 m
Grating height 175 mm
Bracket spacing of 1.2 m or less



COLOR OPTIONS



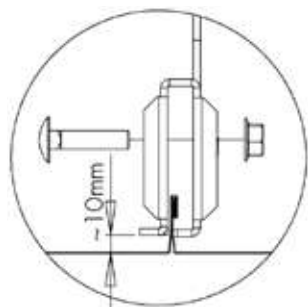
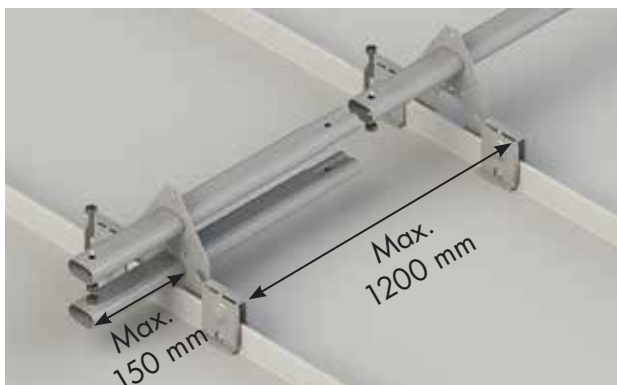
BRICK-PATTERN SHEET ROOF AND FELT ROOF

ORIMA[®]
LE3



SEAM METAL ROOF

ORIMA[®]
LE2



TILE ROOF

ORIMA[®]
LE8



ROOF WALKWAYS



ORIMA[®] ROOF WALKWAYS

- For safe roof walking
- The roughened surface prevents slipping
- Snow is not heaped on the walkway's perforated floor (perforation of over 50%)
- Powder coated hot-dip galvanized steel
- Building up with mating elements
- Joint brackets for all roof types
- The package of a 2.97 m long walkway includes the walkway, four joint brackets, and a mounting kit

Standard length 1.21 m, 2.47 m, and 2.97 m
(0.6 m available on request)

Walkway width 350 mm, edge height 20 mm

Bracket spacing of 1.2 m or less



ORIMA[®] WALKWAY GUARD RAILS

- For higher safety, guard rails (handrails) may be installed on the walkway
- Two cross-tubes (three tubes available on request)

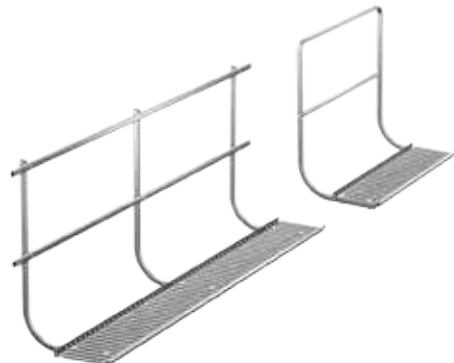
Standard length 1.21 m, 1.46 m, and 3.0 m

Standard height 1.1 m

COLOR OPTIONS



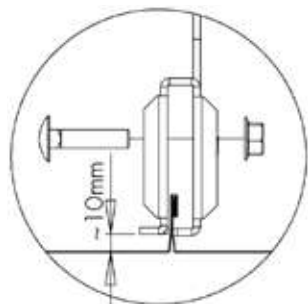
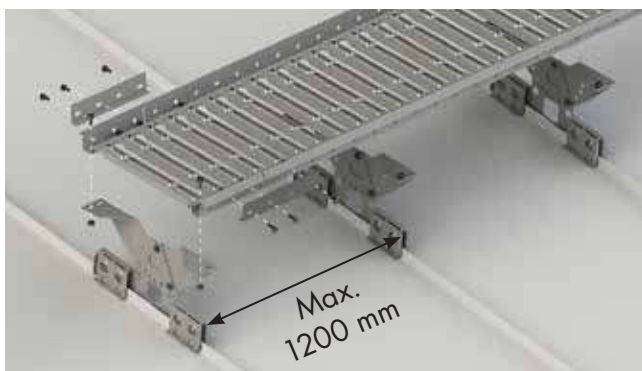
RR11 RR21 RR23 RR29 RR32 RR33 RR750



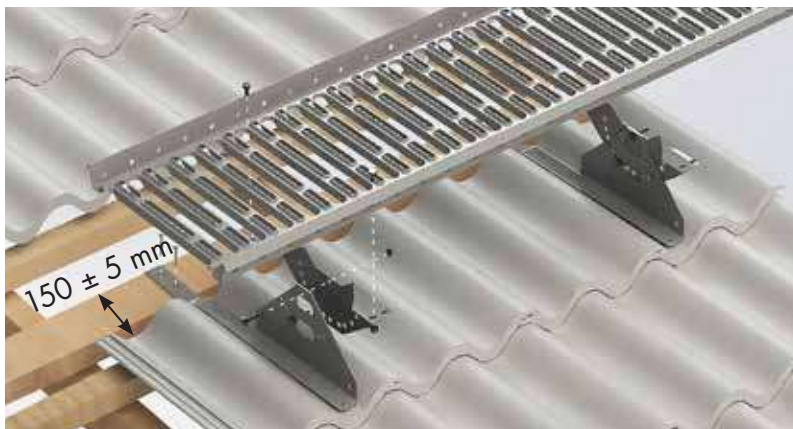
BRICK-PATTERN SHEET ROOF AND FELT ROOF



SEAM METAL ROOF



TILE ROOF



LADDERS

Roof ladders



ORIMA® ROOF LADDERS

- For safe roof walking from the wall ladder or hatch to the chimney and other maintenance facilities
- For permanent installation on the roof
- Joint brackets for all roof types
- By joining ladder modules together, you can get any length you want

Standard ladder length 1.5 m, 1.8 m, 2.4 m, 2.7 m, 3.0 m, 3.6 m and 4.2 m



ORIMA® ROOF RAMP

- Adjustable wide rungs for easy walking on the ladder of this model
- The patterned surface of the rungs guarantees secure footwear traction in any weather
- Such ramp is ideal for a roof inclination of 8° to 25°, but the adjustment margin is sufficient for up to 45°
- For higher safety, the roof ramp may be provided with handrails 0.6 m high

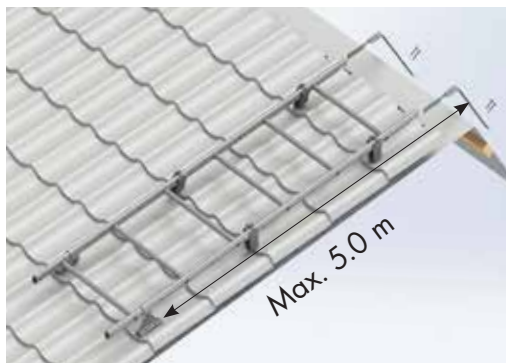
Standard length 1.2 m and 2.4 m



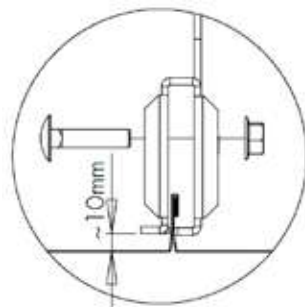
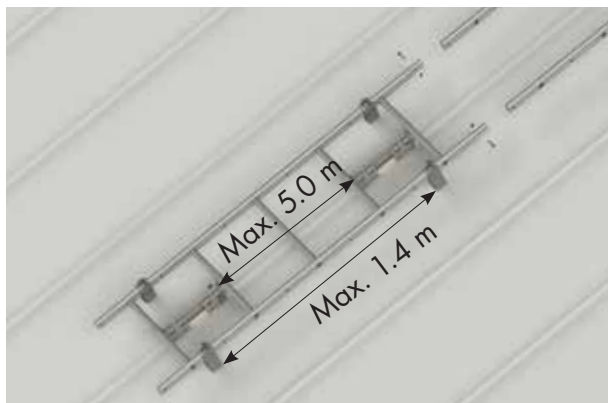
COLOR OPTIONS



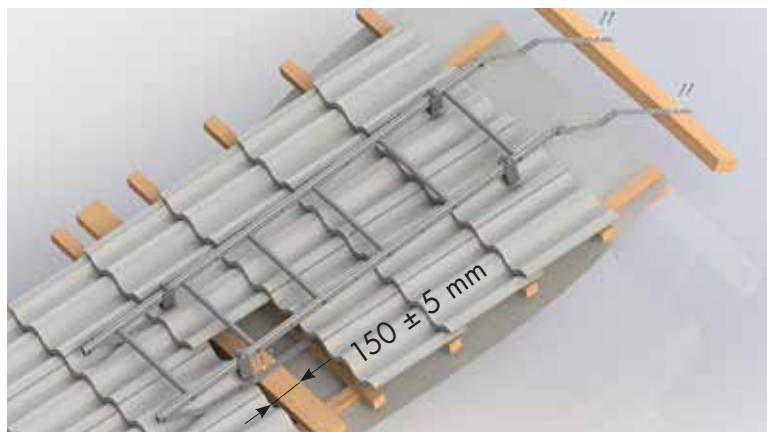
BRICK-PATTERN SHEET ROOF AND FELT ROOF



SEAM METAL ROOF



TILE ROOF



LADDERS

wall ladders



ORIMA® WALL LADDERS

- For safe access to the roof
- Robust and durable
- The optimal place for a wall ladder is at the building's end wall
- Made of powder coated hot-dip galvanized steel without weld seams
- By joining ladder modules together, you can get any length you want

Ladder's passage width 400 mm, overall width 450 mm
Rungs' spacing of 300 mm

Length of the wall fitting legs 20-40 cm,
50-70 cm, 80-100 cm, and 110-130 cm

Standard ladder length 1.5 m, 1.8 m,
2.4 m, 2.7 m, 3.0 m, 3.6 m and 4.2 m

ORIMA® BACK-GUARD

- Permanently fixed to the wall ladder
- Prevents you from falling from the ladder
- Is an alternative to a vertical rail
- Requires no additional equipment when in use
- Oval guard hoops are installed 0.9 m away from the ladder and interconnected with four vertical strips.

COLOR OPTIONS



RR11

RR20

RR21

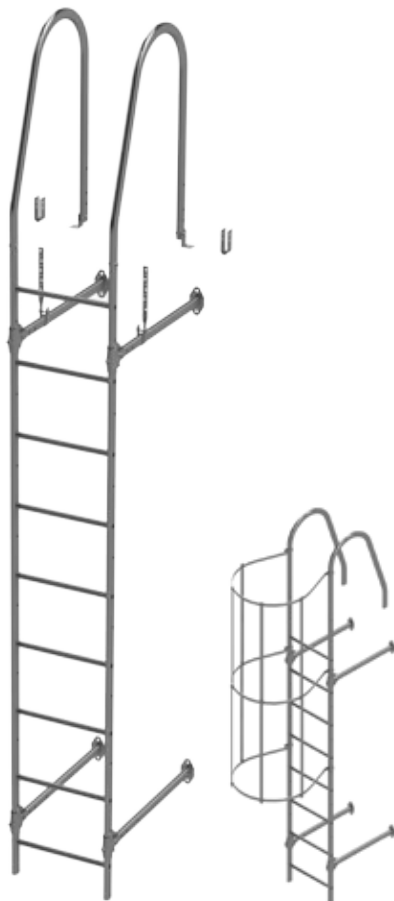
RR23

RR29

RR32

RR33

RR750





SAFETY RAIL

ORIMA® HORIZONTAL RAIL

- For safe working and walking on the roof
- For roof walkway, wall or directly to the roof with mounts
- The safety rope is fastened to a stainless steel horizontal rail carriage
- Horizontal rail carriage can be stored outdoors in place
- Weight of user with equipment: 120 kg
- Same rail for vertical and horizontal use
- Easy installation for roof walkway: The mounts are connected to the rail before lifting the rails to the roof.

Rail length 3.0 m

Roof walkway mounts spacing of 0.5–2 m

Wall mounts spacing of 2 m

Roof mounts spacing of 1.2 m or less



ORIMA® VERTICAL RAIL **CE**

- Fall protection for high wall ladders
- The safety rope is fastened to a stainless steel fall arrester
- The fall arrester reduces the fall impact, no need for separate impact absorbers
- Same rail for vertical and horizontal use
- Weight of user with equipment: 40–160 kg
- CE-marked

Exit arch rail length 2.6 m

Rail length 3.0 m

Rung clamp spacing of 1.5 m or less



ROOF RAILING



ORIMA® ROOF RAILING

- For safe roof maintenance
- Joining modules together by building up the tubes, you can get any length with an increment of 3.0 m
- Vertical space between oval-shaped tubes: less than 30 cm
- Joint brackets for all roof types
- The guard rail may be provided with a snow guard

One module is 3.0 m long

Standard height 0.6 m and 1.1 m (1.2 m available on request)

Two cross-tubes for a guard rail 0.6 m high

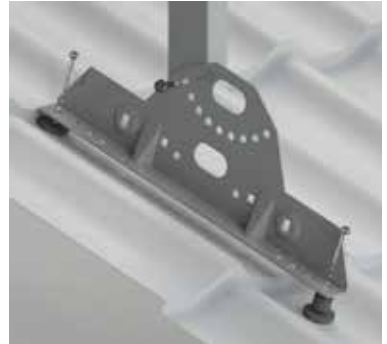
Three cross-tubes for a guard rail 1.1 m high



COLOR OPTIONS



BRICK-PATTERN SHEET ROOF AND FELT ROOF



SEAM METAL ROOF



MOUNTING SYSTEM for solar panels

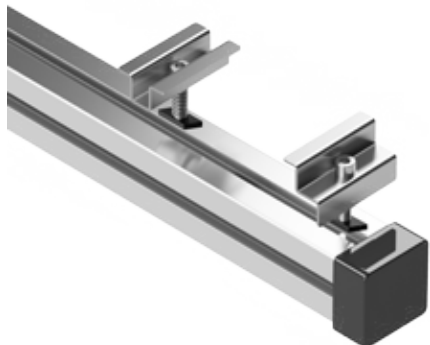


ORIMA® MOUNTING SYSTEM FOR SOLAR PANELS

The Orima mounting system is based on modules, proven roof mounts and a profile frame.

- Designed to withstand Nordic weather conditions.
- The modular system is suitable for most solar panels
- Excellent resistance with Magnelis® coated brackets
- Quick installation
- Suitable for all standard roofing types, pitched and flat roofs
- Joint brackets for all roof types

Bracket spacing of 1.6 m or less on the pitched roof





OPERATION AND SERVICE MANUAL FOR LADDERS, ROOF SAFETY ITEMS, AND RAINWATER SYSTEMS

ORIMA®

THIS MANUAL APPLIES TO THE FOLLOWING ORIMA PRODUCTS:

Roof, wall, and emergency ladders, snow guards, roof walkways and ramps, guard rails, and rainwater systems.

WHEN THE BUILDING IS COMPLETED

During the first year of operation of a new building (or a renovated roof) usage, check the tightness of safety items' fixing on the roof (do the so-called retightening) every three or four months, since mounting wood screws, self-tapping screws, or bolts may slacken as the lath dries up.

Settlement of new log houses may cause pressure on the fixing legs of wall ladders. Therefore, their condition should be monitored, checking their fixing throughout the log house settlement period.

EVERY YEAR

During the scheduled annual examination, test the tightness of self-tapping screws and bolts of the roof safety items. Pay special attention to the seals' integrity of products installed on the roof. Smaller surface damages (such as scratches) on the products should be painted over with a paint intended for this purpose. If corrosion, deformation, or other damage is found in the product(s), such product(s) must be replaced, and besides, the condition of the building's structures at the fixing point must always be checked.

Clean the gutters to remove debris at least once a year.

www.orima.fi/en/installation-guides/



LE3
BRICK-PATTERN SHEET ROOF



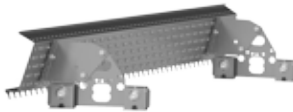
LE2
SEAM METAL ROOF



LE8
TILE ROOF



VLE3
BRICK-PATTERN SHEET ROOF



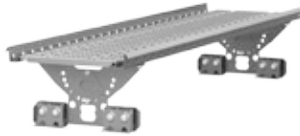
VLE2H
SEAM METAL ROOF



VLE6
TILE ROOF



KS4
BRICK-PATTERN SHEET ROOF



KS3 C2
SEAM METAL ROOF



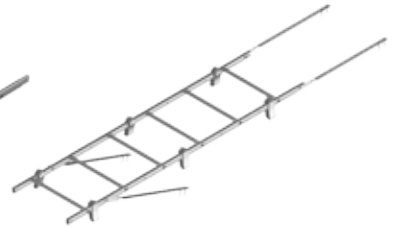
KS8 C2
TILE ROOF



AS3 C2
BRICK-PATTERN SHEET ROOF



AS2 C2
SEAM METAL ROOF



AS9 C2
TILE ROOF

ORIMA®

www.orima.fi

SALES AND CONSULTING

Orima-Tuote Oy
Kankaantie 6
FI-16300 ORIMATTILA, FINLAND
Telephone: + 358 3872 1014

ISO 9001
BUREAU VERITAS
Certification

